



### Easy-to-Use

- Quick plug and play installation
- Graphic visualization of current measured values in Sunny Portal

### Flexible

- Space-saving top-hat rail mounting in household distribution thanks to compact enclosure
- Use of standard Ethernet cables for Speedwire communication

- Universal deployment options regardless of existing energy meter
- Easily and flexibly combined with SMA Smart Home\* components

### High Performance

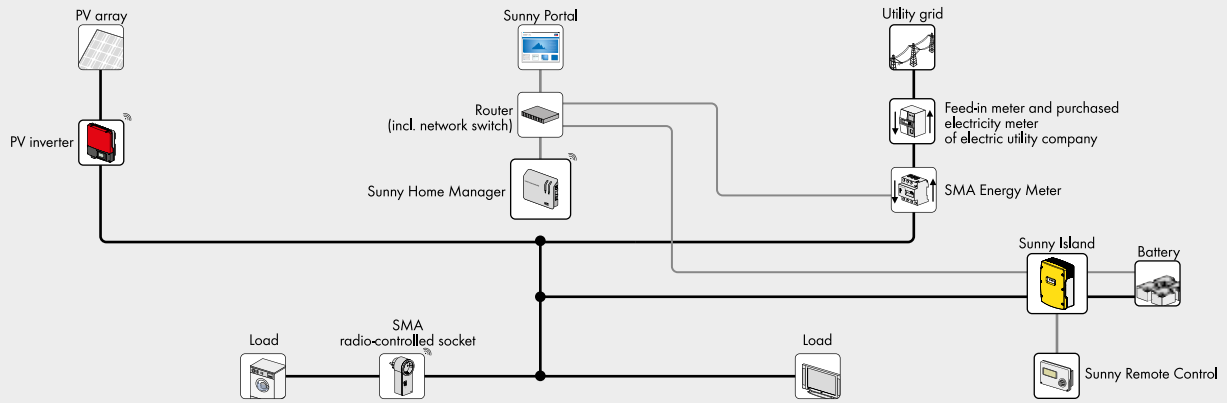
- Fast three-phase, bidirectional acquisition of measured values for effective energy management
- Fast Speedwire communication

## SMA ENERGY METER

Universal reading of measured values for intelligent energy management

The powerful measurement solution for intelligent energy management within the SMA Smart Home: The SMA Energy Meter takes phase-exact and balanced electrical measured values as a grid feed-in and purchased electricity meter and communicates these values via Speedwire. Thanks to its ability to quickly acquire bidirectional measured values, the SMA Energy Meter is the ideal supplier of data for intelligent energy management within the SMA Smart Home. All PV generation data, purchased electricity and grid feed-in can be transmitted via standard Ethernet cable to the Sunny Home Manager, for example, or, in the future, to the Sunny Boy Smart Energy. This, in turn, facilitates optimal energy monitoring, effective load and battery management and reliable active power limitation at the grid feed-in point while taking self-consumption into account.

## Storage application example



### Technical Data

#### Communication

Fieldbus

#### Max. Radio Range

Speedwire / fast Ethernet

#### Inputs (Voltage and Current)

Nominal voltage

Frequency

Nominal current / Limiting current per phase

Start-up current

Connection cross-section

Torque for screw terminals

#### Ambient Conditions in Operation

Ambient temperature

Storage temperature range

Protection class (according to IEC 62103)

Degree of protection (according to IEC 60529)

Max. permissible value for relative humidity (non-condensing)

#### General Data

Dimensions (W / H / D)

Individual units

Weight

Mounting location

Mounting type

Status display

Self-consumption

Measurement accuracy

Sampling frequency

Languages of the manual

#### Features

Warranty

Certificates and approvals (more available on request)

### SMA Energy Meter

Speedwire, 10 / 100 Mbit/s

100 m (between two devices)

230 V / 400 V

50 Hz, 60 Hz / ±5 %

5 A / 63 A

< 25 mA

1.0 mm<sup>2</sup> to 25 mm<sup>2</sup>

2.0 Nm

-25 °C ... +40 °C (-13 °F ... +104 °F)

-25 °C ... +70 °C (-13 °F ... +158 °F)

II

IP2X

5 % ... 95 %

88 / 70 / 65 mm

(3.46 / 2.76 / 2.56 inch)

4

0.3 kg (0.66 lb)

switch or meter cabinet

Top-hat rail mounting

2 LEDs

< 2 W

1 %

< 1 Hz

German, English, Italian, French, Spanish, Dutch, Portuguese, Greek

2 years

www.SMA-Solar.com

Last updated: October 2013

● Standard features ○ Optional features — Not available, data at nominal conditions

Type designation

EMETER-10